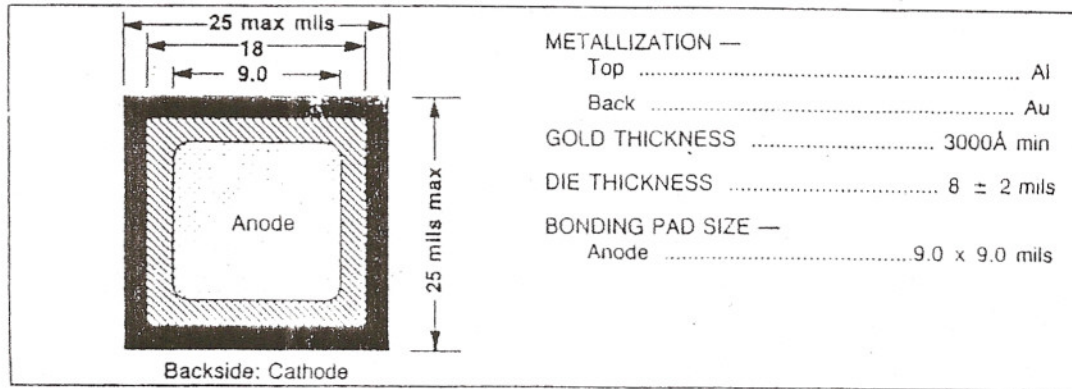




Sierra Components, Inc.

2222 Park Place Building 3 Suite E • Minden, Nevada 89423
 Phone: 775.783.4940 Fax: 775.783.4947



Topside Metal: Aluminum
Backside Metal: Gold
Backside Potential: Cathode
Bond Pad Size: .009 Square

APPROVED BY:

DIE SIZE: .025" X .025"

DATE: 10/14/02

MFG: Motorola Semi

THICKNESS: .008"

P/N: CD4620